

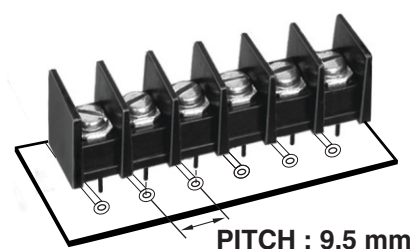
# TERMINAL BLOCK

SERIES 50 : SINGLE ROW, HIGH BARRIER, CLOSED BACK

ISSUE - PIS/TB.54

DATE : 01.08.13

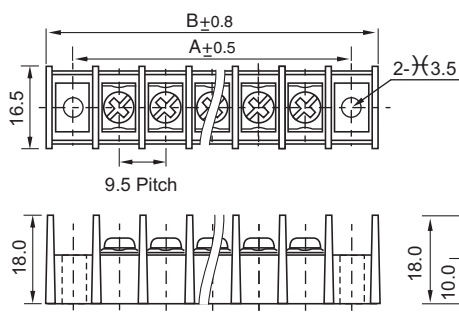
Type : TB.54



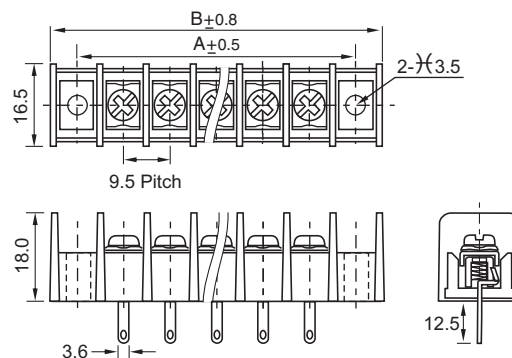
PITCH : 9.5 mm

## DIMENSIONS (mm)

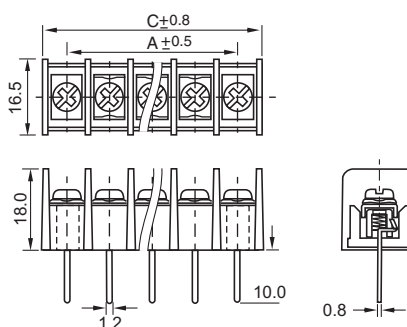
BASIC BLOCK with mtg. ends



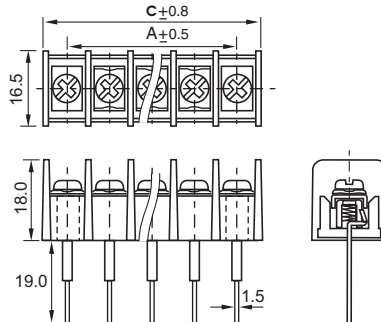
L-Terminal with mtg. ends for Hook-up



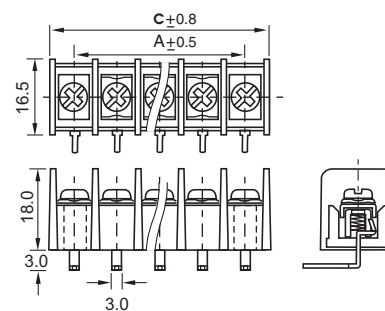
LP-Terminal w/o mtg. ends for PCB's



LP-1 Terminal w/o mtg. end for PCB's



LP-2 Terminal w/o mtg. end for PCB's



## SPECIFICATIONS

### Electrical :

Rating : 300 V, 20 A.

Insulation withstand Voltage : 2000 V/min

Insulation Resistance : >1000 MΩ at 500V DC

Temperature Range : - 40°C to + 105°C

### Mechanical :

Screw Torque : 10 Kg - cm.

Terminal Screw : M3.5x6.5, Brass (Ni-plated)

Terminal Strip : Nylon 6.6 :Black

Terminals : Brass (Tin-plated), 0.8 t

Mounting clip : Mild steel (Black-Oxidized)

Wire Size : 22-12 AWG

## ORDERING CODE /GUIDE

Type	Terminal Type	No of ways
TB.54	LP	10

→ TB.54- LP - 10 ←

No. of Ways	1	2	3	4	5	6	7	8	9	10	11	12	13
C-C length betn ends 'A'		9.5	19.0	28.5	38.0	47.5	57.0	66.5	76.0	85.5	95.0	104.5	114.0
Total length (with mtg.) 'B'		40.0	49.5	59.0	68.5	78.0	87.5	97.0	106.5	116.0	125.5	135.0	144.5
Total length (w/o mtg.) 'C'		21.0	30.5	40.0	49.5	59.0	68.5	78.0	87.5	97.0	106.5	116.0	125.5
No. of Ways	14	15	16	17	18	19	20	21	22	23	24	25	26
C-C length betn ends 'A'	123.5	133.0	142.5	152.0	161.5	171.0	180.5	190.0	199.5	209.0	218.5	228.0	237.5
Total length (with mtg.) 'B'	154.0	163.5	173.0	182.5	192.0	201.5	211.0	220.5	230.0	239.5	249.0		
Total length (w/o mtg.) 'C'	135.0	144.5	154.0	163.5	173.0	182.5	192.0	201.5	211.0	220.5	230.0	239.5	249.0

Manufactured by:

**piri electrols pvt. ltd.**

A-28, Royal Industrial Estate, Naigaum Cross Road, Wadala, Mumbai 400031. INDIA.

☎ (022) 2412 8342/43 • Fax: (022) 2414 9077 • E-Mail : piriectrols@gmail.com • Website : www.piriectrols.com

