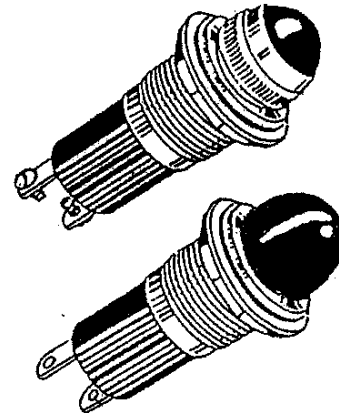
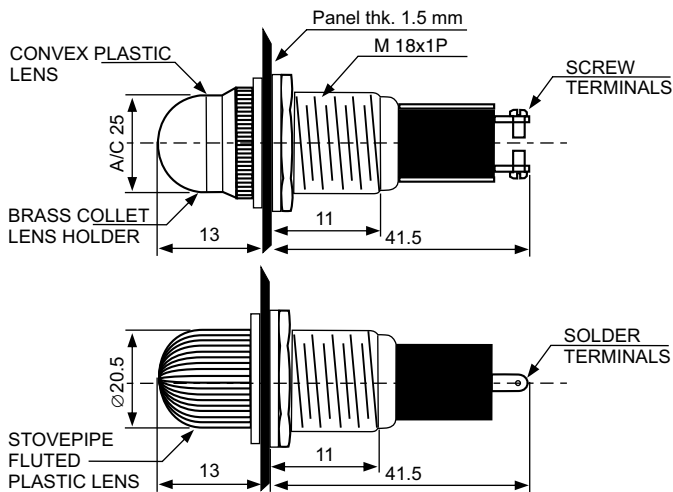


INDICATOR LIGHT

(WITHOUT LAMP/ NEON)
SERIES : IL.18

ISSUE - PIS/IL.18
DATE : 01.10.12

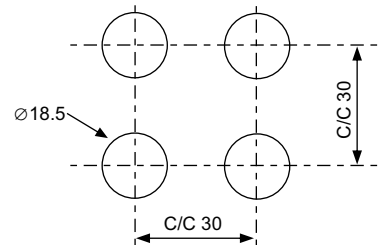


SPECIFICATIONS

MECHANICAL

- MAIN HOUSING : BRASS CHROME PLATED
- LENS TYPE : *CONVEX / STOVEPIPE
- LENS MATERIAL : POLYCARBONATE
- LENS COLOUR : RED, GRN, AMB, CLR & BLU
- HEX.NUT : BRASS Ni. PLATED
- TERMINALS : BRASS TINNED
- CONNECTION : SOLDER/SCREW
- WEIGHT : 20 GRAMS APPROX
- *CONVEX LENS FITTED IN BRASS CHROME PLATED COLLET

PANEL CUT OUT & MIN. SPACING



ALL DIMENSIONS ARE IN mm

ELECTRICAL RATING :

Voltage Breakdown : > 1000 V AC (Terminal to Housing)
Current : 0.5 Amps

Insulation Resistance : > 100 MΩ @ 500 V DC

ORDERING CODE

SERIES	LENS COLOUR	LENS TYPE	TERMINAL
IL.18	R - RED G - GREEN A - AMBER C - CLEAR B - BLUE	1 - CONVEX 2 - STOVEPIPE	1 - SOLDER 2 - SCREW

→ IL.18 - R - 1 - 1 ←

*LAMP

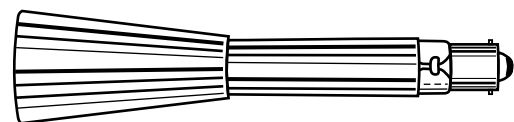
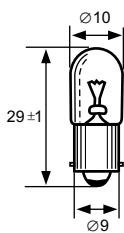
VOLTAGES AVAILABLE

FILAMENT LAMPS	NEON LAMPS
06V / 1.5W NOMINAL	110 V -
12V / 1.5W NOMINAL	220 V -
24V / 1.5W NOMINAL	
48V / 1.5W NOMINAL	
130V / 3W NOMINAL	

ACCESSORIES

*LAMP INSTALLER

CODE : LI.915



MINIATURE BAYONET BASE (Ba9s / 14)

*OPTIONAL-AT EXTRA COST FOR EASY FITTING / REMOVAL OF LAMP

Manufactured by:

piri electrols pvt. ltd.

A-28, Royal Industrial Estate, Naigaum Cross Road, Wadala, Mumbai 400031. INDIA.

☎ (022) 2412 8342/43 • Fax: (022) 2414 9077 • E-Mail : piri electrols@gmail.com • Website : www.piri electrols.com

