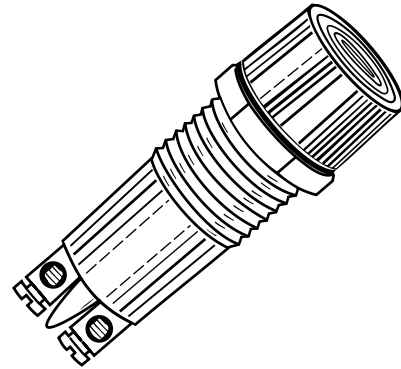
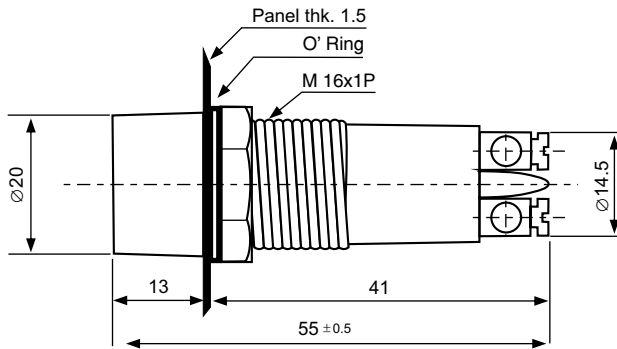


INDICATOR LIGHTS

(BUILT-IN LED)
SERIES : IL.16

ISSUE - PIS/IL.16
DATE : 01.10.12

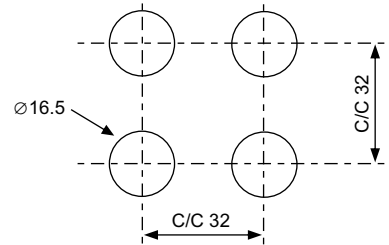


SPECIFICATIONS

MECHANICAL

MAIN HOUSING : ABS
LENS MATERIAL : ACRYLIC
LENS COLOUR : RED, GRN, AMB, CLR & BLUE
HEX NUT : ABS
WASHER : RUBBER
TERMINALS : BRASS Ni. PLATED
CONNECTION : SCREW BRASS Ni. PLATED
WEIGHT : 12 Grams Approx

PANEL CUT OUT & MIN. SPACING



ALL DIMENSIONS ARE IN mm

ELECTRICAL

LAMP	RATED VOLTAGE	MIN. OPERATING VOLTAGE	CURRENT DRAWN
LED Super Bright	12V DC	3.82V	9.94 mA
	24V DC	4.27V	21.54 mA
	48V DC	7.28V	45.77 mA
	110V AC	42.4V	7.73 mA
	220V AC	42.6V	15.01 mA

Voltage Breakdown : > 1000 V AC (Terminal to Housing)

Insulation Resistance : > 1000 MΩ @ 500 V DC

ORDERING CODE

SERIES	LENS COLOUR	RATED VOLTAGE
IL.16	R - RED	1 - 12VDC
	G - GREEN	2 - 24VDC
	A - AMBER	3 - 48VDC
	C - CLEAR	4 - 110VAC
	B - BLUE	5 - 220VAC

IL.16 - R - 2

Manufactured by:

piri electrols pvt. ltd.

A-28, Royal Industrial Estate, Naigaum Cross Road, Wadala, Mumbai 400031. INDIA.

☎ (022) 2412 8342/43 • Fax: (022) 2414 9077 • E-Mail : piri electrols@gmail.com • Website : www.pirielelectrols.com

