

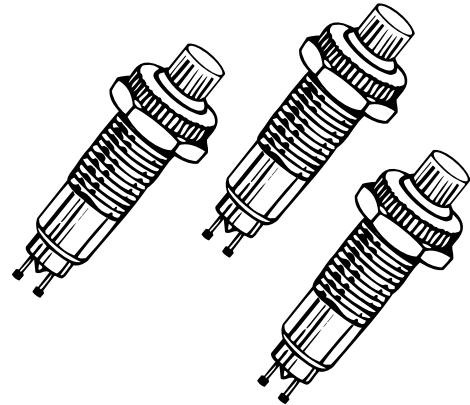
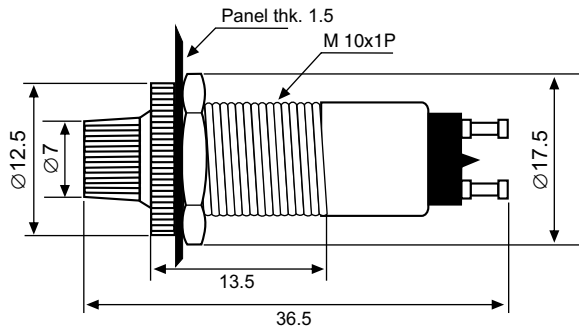
INDICATOR LIGHTS

(BUILT-IN LED / NEON)

SERIES : IL.10

ISSUE - PIS/IL.10

DATE : 01.10.12

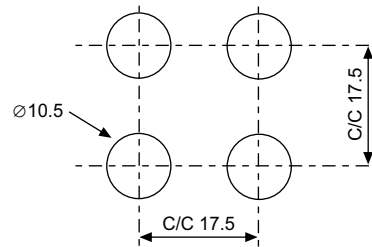


SPECIFICATIONS

MECHANICAL

MAIN HOUSING : BRASS CHROME PLATED
 LENS MATERIAL : ACRYLIC
 LENS COLOUR : RED, GRN, AMB., CLR.,BLU.
 HEX. / RING NUT : BRASS Ni PLATED
 TERMINAL BASE : BAKELITE
 TERMINAL : BRASS TINNED
 CONNECTION : SOLDER
 WEIGHT : 10 GRAMS APPROX.

PANEL CUT OUT & MIN. SPACING



ALL DIMENSIONS ARE IN mm

ELECTRICAL

LAMP	RATED VOLTAGE	MIN. OPERATING VOLTAGE	CURRENT DRAWN
LED Super Bright	12 V DC	04.26 V	10.11 mA
	24 V DC	07.93 V	10.50 mA
	48 V DC	17.34 V	09.86 mA
	220 V AC	24.00 V	02.00 mA
Neon(4mm)	110 V AC	72.30 V	01.69 mA
	220 V AC	85.80 V	02.37 mA

Voltage Breakdown : > 1000 V AC (Terminal to Housing)

Insulation Resistance : > 1000 MΩ @ 500 V DC

ORDERING CODE

SERIES	LENS COLOUR	RATED VOLTAGE	
		LED	NEON
IL.10	R - RED	1 - 12 V DC	5 - 110 V AC
	G - GREEN	2 - 24 V DC	6 - 220 V AC
	A - AMBER	3 - 48 V DC	
	C - CLEAR	4 - 220 V AC	
	B - BLUE		

IL.10 - R - 2

Manufactured by:

piri electrols pvt. ltd.

A-28, Royal Industrial Estate, Naigaum Cross Road, Wadala, Mumbai 400031. INDIA.

☎ (022) 2412 8342/43 • Fax: (022) 2414 9077 • E-Mail : piri electrols@gmail.com • Website : www.pirielelectrols.com

