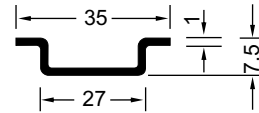
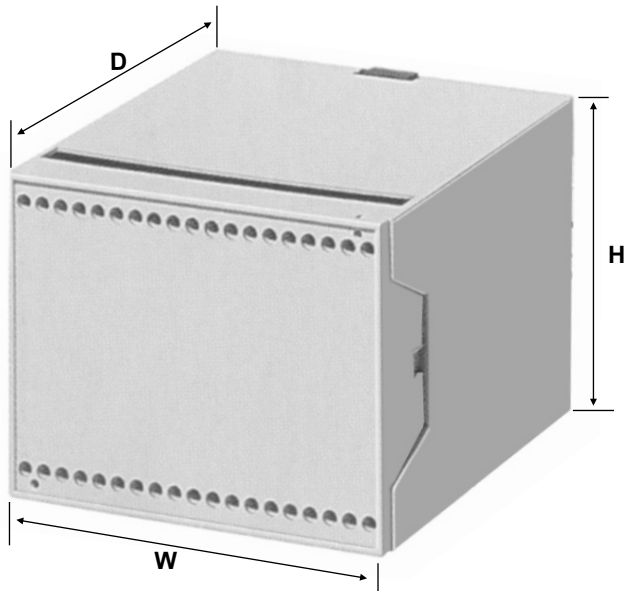


ENCLOSURE

DIN RAIL / SERIES : ED.7500

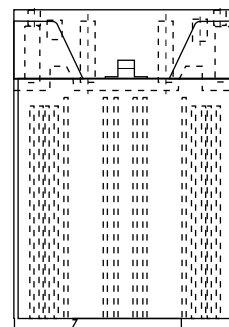
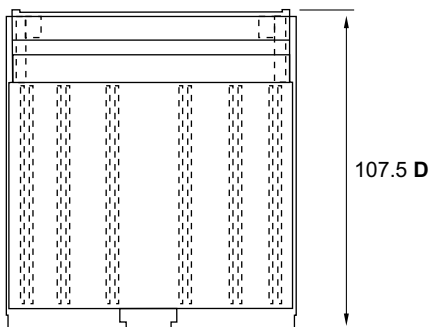
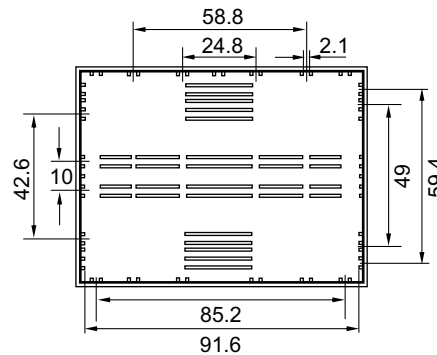
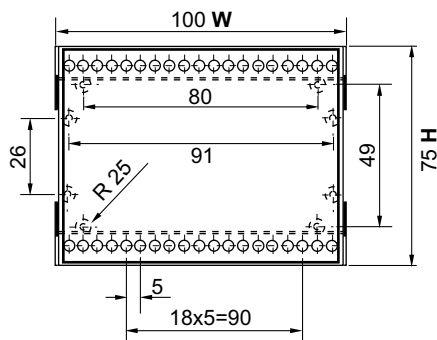
ISSUE - PIS/ED.7510
DATE : 01.07.2015

Order Code : ED.7510



DIN RAIL-DIN en.50022

PCB Dimension	
W	D
71.0 ± 0.1	74.0 ± 0.1
96.0 ± 0.1	74.0 ± 0.1



ENCLOSURE ED.7510 (TERMINALS 19+19)

Compact Enclosure For Electronic, Electrical Sub-systems, Like Timers, Counters, Level Switches, Etc, Moulded In ABS Light Grey Colour With Provision For 19+19 PCB Type Mountable Terminal Blocks With 5.08 mm Pitch , (available On Request) These Enclosures Can Be Latched Onto 35mm Din-rail en.50022.
Size: W100 , D107.5, H75mm

Manufactured by:

piri electrols pvt. ltd.

A-28, Royal Industrial Estate, Naigaum Cross Road, Wadala, Mumbai 400031. INDIA.

☎ (022) 2412 8342/43 • Fax: (022) 2414 9077 • E-Mail : piri electrols@gmail.com • Website : www.piri electrols.com

