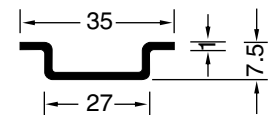
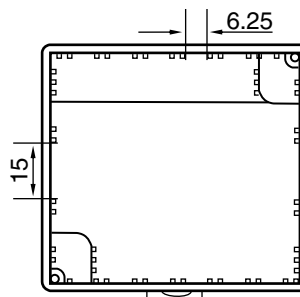
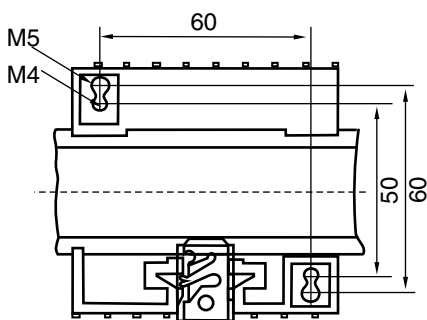
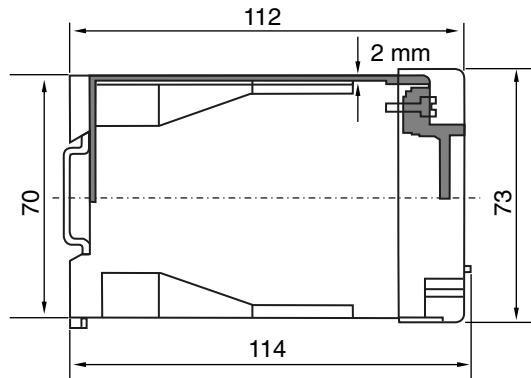
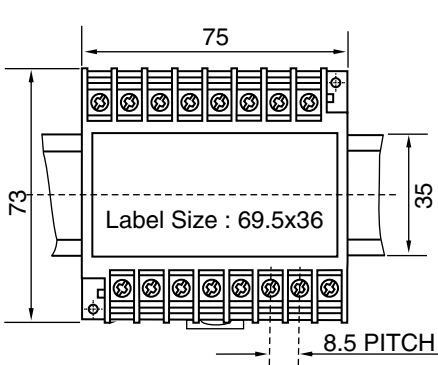


SERIES
ED. 7000

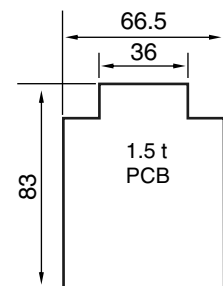
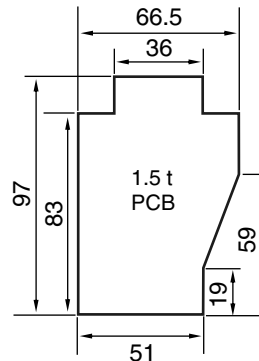
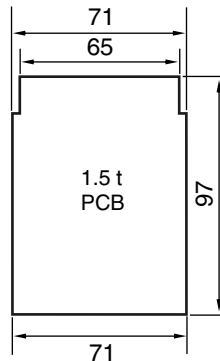
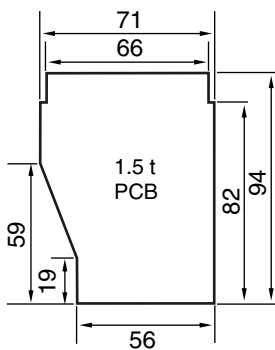
ENCLOSURE

DIN RAIL / PANEL MOUNT
TYPE : ED.7075 (TERMINALS 8+8)

ISSUE - *PIS/ED.7075*
DATE : 01.10.12



DIN RAIL-DIN EN.50022



All Dimensions are in mm

SPECIFICATION

ELECTRICAL

- RATINGS : 300V 15 Amps.
 - VOLTAGE BREAKDOWN: >2500 volts AC
 - INSULATION : >100 meg. ohms at 500V DC
- OPERATING TEMPERATURE
60^oc (MAX)
- IP CLASSIFICATION
- HOUSING : IP 40
 - TERMINAL COVER : IP 10

MECHANICAL :

- A HOUSING - ABS
 - B TERMINAL COVER - ABS
 - C MOUNTING CLIP - DELRIN
- SCREWS : (COMBIHEAD WITH CAPTIVATED BINDER WASHER) BRASS / Ni - PLATED
 - TERMINALS : BRASS / TIN - PLATED
 - HEX. NUTS : BRASS / Ni - PLATED

Manufactured by:

piri electrols pvt.ltd.

A-28, Royal Industrial Estate, Naigaum Cross Road, Wadala, Mumbai 400031. INDIA.

☎ (022) 2412 8342/43 • Fax: (022) 2414 9077 • E-Mail : pirielectrols@gmail.com • Website : www.pirielectrols.com

