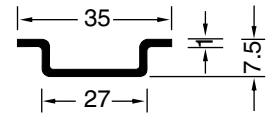
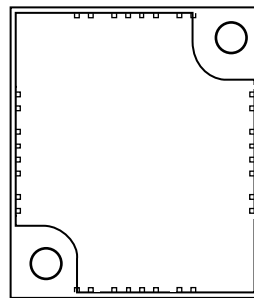
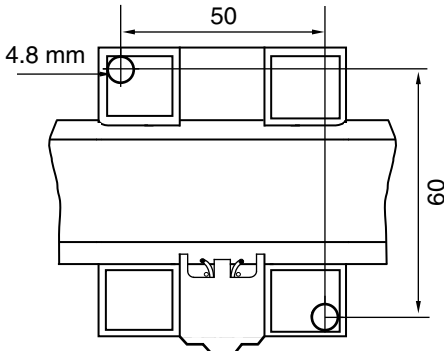
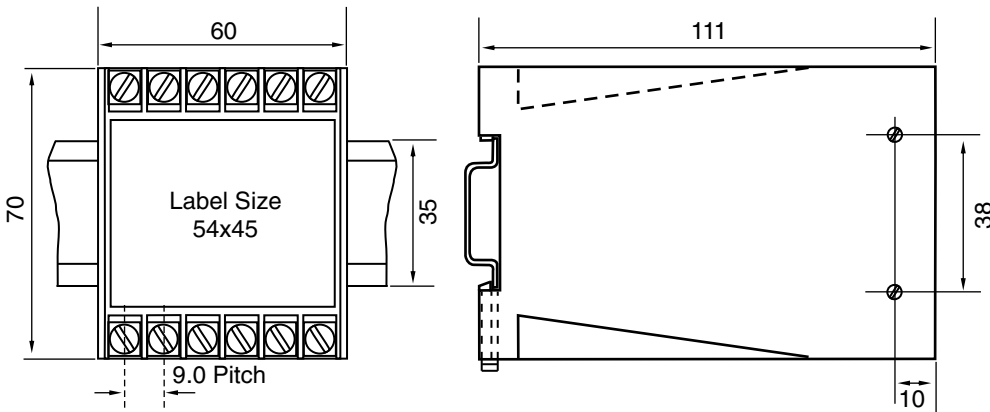


**SERIES**  
**ED. 7000**

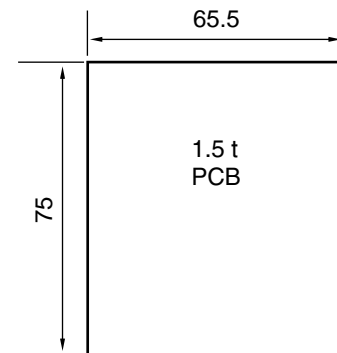
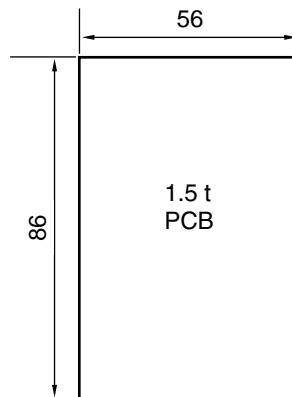
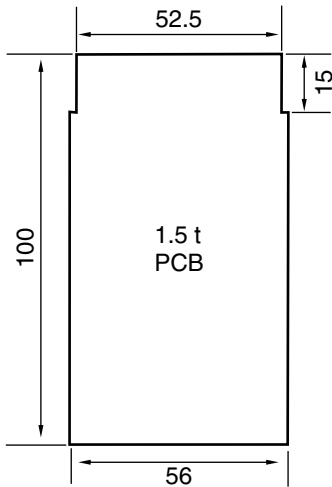
# ENCLOSURE

**DIN RAIL / PANEL MOUNT**  
**TYPE : ED.7060P (TERMINALS 6+6)**

ISSUE - *PIS/ED.7060P*  
DATE : 01.05.14



DIN RAIL-DIN EN.50022



All Dimensions are in mm

## SPECIFICATION

### ELECTRICAL

- RATINGS : 300V 15 Amps.
- VOLTAGE BREAKDOWN: >2500 volts AC
- INSULATION : >100 meg. ohms at 500V DC
- OPERATING TEMPERATURE 60<sup>o</sup>c (MAX)

### IP CLASSIFICATION

- HOUSING : IP 40
- TERMINAL COVER : IP 10

### MECHANICAL :

- A HOUSING - ABS
- B TERMINAL COVER - ABS
- C MOUNTING CLIP - DELRIN
- SCREWS : SLOTTED / COMBIHEAD, WITH BRASS/WASHER / Ni- PLATED
- TERMINALS : BRASS / TIN - PLATED

Manufactured by:

**piri electrols pvt.ltd.**

A-28, Royal Industrial Estate, Naigaum Cross Road, Wadala, Mumbai 400031. INDIA.

☎ (022) 2412 8342/43 • Fax: (022) 2414 9077 • E-Mail : [pirielectrols@gmail.com](mailto:pirielectrols@gmail.com) • Website : [www.pirielectrols.com](http://www.pirielectrols.com)

